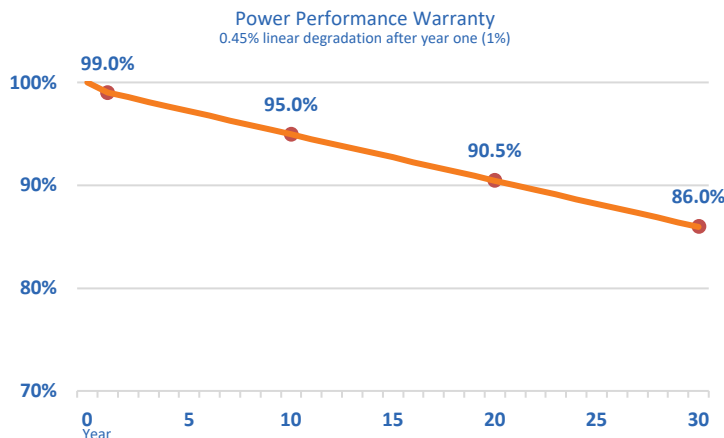
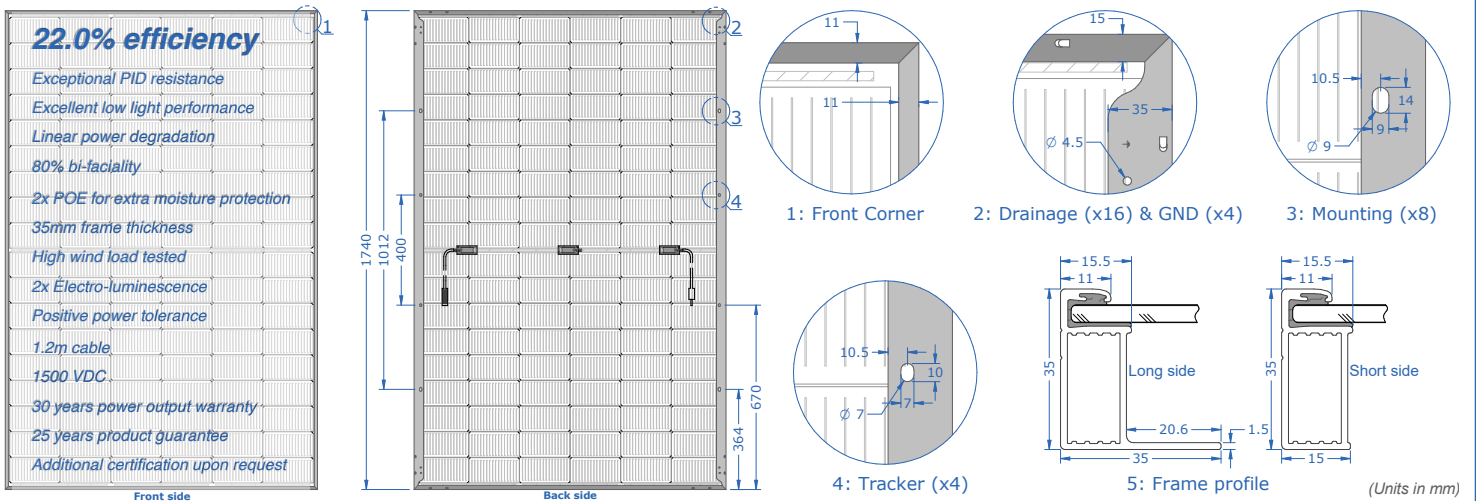


Model Name	AXN10M435B
<b>Maximum Power (+3%)</b>	<b>435W</b>
Voc (V)	38.66
Isc (A)	13.76
Vmp (V)	33.40
Imp (A)	13.02
<b>Module Efficiency (%)</b>	<b>22.0%</b>
Series Fuse Rating	30A
Junction Box Protection	IP68
Maximum System Voltage	VDC1500
Operating Temperature	-40°C to 85°C
Module type	Framed Bi-Facial Single Glass
Connector type	Staubli EVO-2A
Cable length	12AWG 1200mm <sup>ii</sup>
Maximum snow/wind load	5400Pa(snow)/5400Pa(wind)
Certification/Fire Type	UL61730 <sup>ii</sup> ; UL1703 Fire Type 1

Total power output for different bi-facial gain coefficients				
	5%	10%	20%	30%
<b>Maximum Power (+3%)</b>	<b>457W</b>	<b>478W</b>	<b>522W</b>	<b>565W</b>
Voc (V)	38.66	38.66	38.66	38.66
Isc (A)	14.45	15.14	16.51	17.89
Vmp (V)	33.40	33.40	33.40	33.40
Imp (A)	13.67	14.32	15.62	16.93
<b>Module Efficiency (%)</b>	<b>23.4%</b>	<b>24.5%</b>	<b>26.7%</b>	<b>29.0%</b>

Bi-Facial modules produce power on both front and back. The actual power output from the back side is determined by installation conditions. Nominal bi-facial module gain coefficient can run from 5% to 30% or more, depending on the installation height and the amount of indirect irradiance. It is recommended to design the electrical circuits with safety factor that accounts for the additional power in order to protect electrical hardware.

i) Amphenol connectors available upon request, ii) Cable length may be customized, iii) Additional certifications available upon request



Mechanical Characteristics	
Frame	Anodized Aluminum (Silver and Black)
Solar Panel	46.96 lbs/21.30 kg 68.50" x 44.65" x 1.38" 1740mm x 1134mm x 35mm
Shipping Pallet	34 pcs per pallet 1667 lbs/756 kgs 72.52" x 48.66" x 51.85" 1842mm x 1236mm x 1317mm
Container	25 pallets (850 pcs) per 53'

Temperature Coefficients		Standard Test Conditions (STC)	
NOCT	45 °C	Irradiance	1000W/m <sup>2</sup>
Isc/Voc (per °C)	+0.05%/-0.25%	Module Temperature	25 °C
Pmax (per °C)	-0.29%	AM	1.50

Specifications subject to change without notice